

PPITSTOPS latrine squat, sit-on pedestal & shower plates

AirCell's modular latrine & shower plates are unique in their cellular shell construction which makes them the lightest & strongest units available in this demanding area of field sanitation.

They are made from a smooth but non slippery ABS plastic for a long reliable working life.

PPITSTOP SSQ

squatplate for pit or trench

- ✓ Self supporting webbed substructure
 - ✓ Smooth contoured surface drains & cleans easily
 - ✓ New style flip-hinged lid folds to back of latrine
 - ✓ Rear set hole gives more forward dressing room
 - ✓ Textured foot-print area
 - ✓ Extra front floor area deal for mother/child use
 - ✓ Modular fit to AirCell CCubicle SSQ1 & SSQ2
- ✓ **BBOWL** clip-on flush bowl & P-trap waste pipe



PPITSTOP SSO

'sit-on' plate for pit or trench

- ✓ Self supporting webbed substructure
- ✓ Smooth contoured surface drains & cleans easily
- ✓ Lid folds back with paper-roll holder
- ✓ Seat folds back – can trap bag for "bag'n'bin" use
- ✓ Minimum bowl lip to make cleaning easy
- ✓ Maximum flare interior for direct-drop use
- ✓ Ideal for mother/child or disabled user
- ✓ Modular fit to AirCell CCubicle SSQ1 & SSQ2



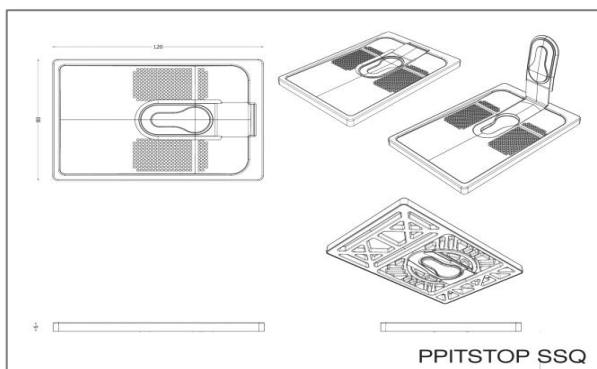
PPITSTOP SSH

shower tray/plate

- ✓ Contoured surface
- ✓ Easy clean surface
- ✓ Large textured non-slip standing area
- ✓ Covered waste drain
- ✓ Modular fit to AirCell CCubicle SSH1 & SSH2

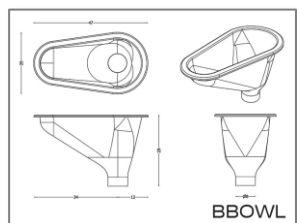


PPITSTOPS details & specification



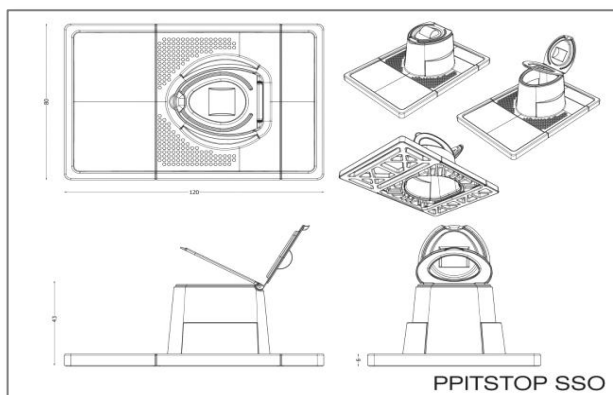
PPITSTOP SSQ squatplate

- Dimensions: 120 x 80 x 6 cms
- Weight: 9.0 kgs nett
- Packing: 5 per 124 x 84 x 34 cms carton
- Vacuum-formed & glued ABS plastic shells
- Rear-set hinged flip-lid with hidden hinge
- No-slip textured foot zones
- Contoured easy-clean surface
- Rigid substructure frame
- Fits in all CCubicle latrine structures



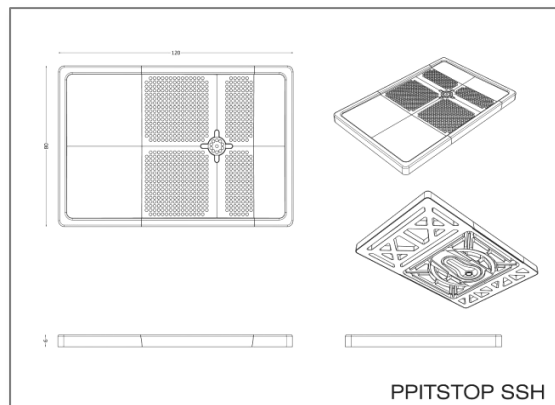
BBOWL flush pan

- Dimensions: 27 x 45 x 29 cms
- Weight: 0.9 kgs nett
- Packing: 10 per 67 x 55 x 54 cms carton
- Vacuum-formed shell
- 75 mm outlet with P-trap included



PPITSTOP SSO 'sit-on' plate

- Dimensions: 120 x 80 x 43 cms
- Weight: 10.0 kgs nett
- Packing: 4 per 156 x 84 x 67 cms carton
- Vacuum-formed & glued ABS plastic shells
- Nylon nut & bolt hinge
- Rear-set hinged seat & lid with roll holder
- Non-slip textured foot zones
- Flared direct-drop internal profile
- Rigid substructure frame
- Fits in all CCubicle latrine structures



PPITSTOP SSH shower plate/tray

- Dimensions: 120 x 80 x 6 cms
- Weight: 8.8 kgs nett
- Freight: 5 per 124 x 84 x 34 cms carton
- Vacuum-formed & glued ABS plastic shells
- Non-slip textured foot zones
- Covered off-set 40mm drain outlet
- Rigid substructure frame
- Fits in CCubicle SSH2 shower-room

download this Products Sheet or the Product Review as pdf files on www.aircellstructures.com and email us at office@aircellstructures.com