

WWASHPOT/WWASHTANK water dispensers

AirCell 's unique hands-free solution to a major hygiene problem – avoiding touching the tap.

These foot-pumped units are robustly packaged for use in the kitchen or for toilet hygiene, ritual cleansing, and water-use community service.

A world-first product that really works.

WWashPot WW40

portable water dispenser - 40 litre

- ✓ Tough plastic components pack in kit form
- ✓ 40l stand-alone tank or used with other water supply
- ✓ Easy for children to use
- ✓ Plastic lid for waste water collection for secondary use



WWashPot WW80

family water dispenser - 80 litre

- ✓ Swivel spout for left & right hand use
- ✓ Part pack away in side base plate
- ✓ Ideal for localised kitchen or medical use
- ✓ Your logo/messages as required



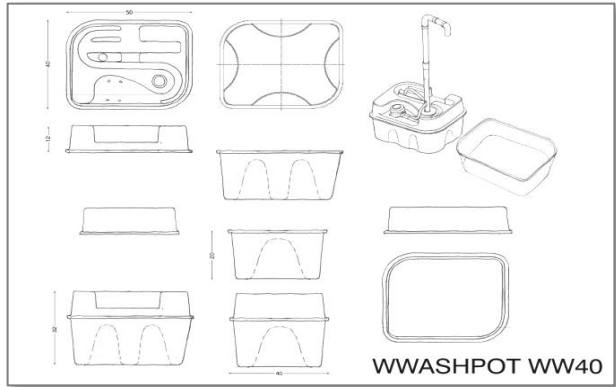
WWashTank WW600

community water dispenser - 600 litre

- ✓ Easily assembled by 2 people in 1 hour
- ✓ Top-fill & bottom-empty via screw caps
- ✓ Spray-head spout delivers effective wash
- ✓ 7,500 double rinses from full tank
- ✓ Side wings catch waste water to drain
- ✓ Ultra-light, flat-pack kit fits on a Euro pallet
- ✓ 4 x foot pumped operation avoids hand contagion
- ✓ Non-drip, non-return foot pumps avoid water wastage
- ✓ Robust construction with large (600litre) rubber tank

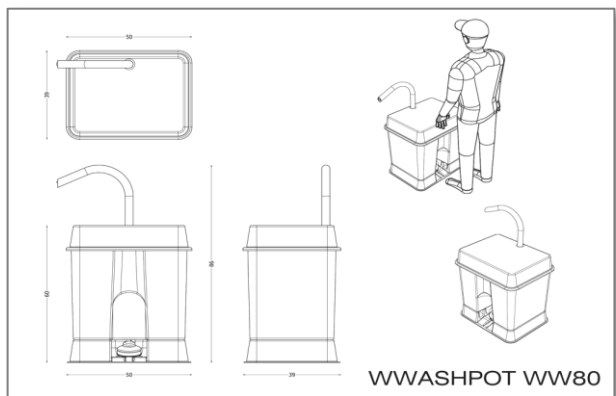


WWASHPOTS/WWASHTANK details & specification



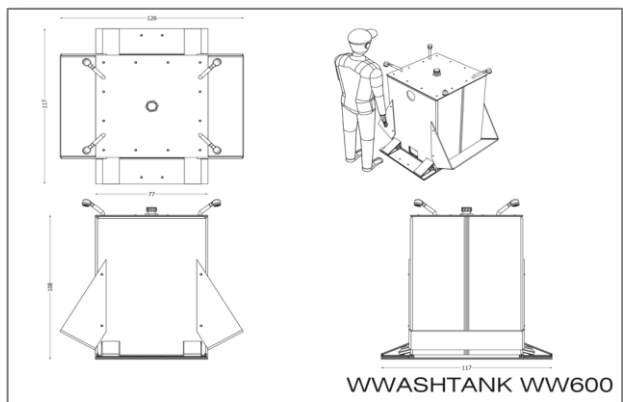
WWASHPOT WW40

- Dimensions: 50 x 40 x 32 cms
- Weight: 3.6 kgs
- Tank volume: 40 litres/9 gallons
- Thermo-formed ABS plastic shells
- Clear plastic cover/wastebowl
- Self priming diaphragm pump
- Flexible IN & OUT hoses
- UPVC rigid pipework
- Pipework stores in topshell
- 1 man assembles in 15 minutes



WWASHPOT WW80

- Dimensions: 60 x 40 x 50cms
- Weight: 3.8kgs
- Tank volume: 80 litres/18gallons
- Thermo-formed ABS plastic shells
- Self priming diaphragm pump
- Flexible IN & OUT hoses
- UPVC rigid pipework
- Pipework stores in baseplate
- 1 man assembles in 15 minutes



WWASHTANK WW600

- Flatpacks into 80 x 120 x 20 cms carton
- Weight: 23 kgs nett
- Dimensions: 75 x 125 x 110cms assembled
- Tank volume: 600 litres/130 gallons
- Tri-lam polypropylene bodywork
- Self priming diaphragm pumps x 4
- Sprayhead wash spouts x 4
- Flexible IN & OUT hoses
- UPVC rigid pipework
- 2 men assemble in 1 hour

download this Product Sheet or the Products Review as pdf files on www.aircellstructures.com and email us at office@aircellstructures.com